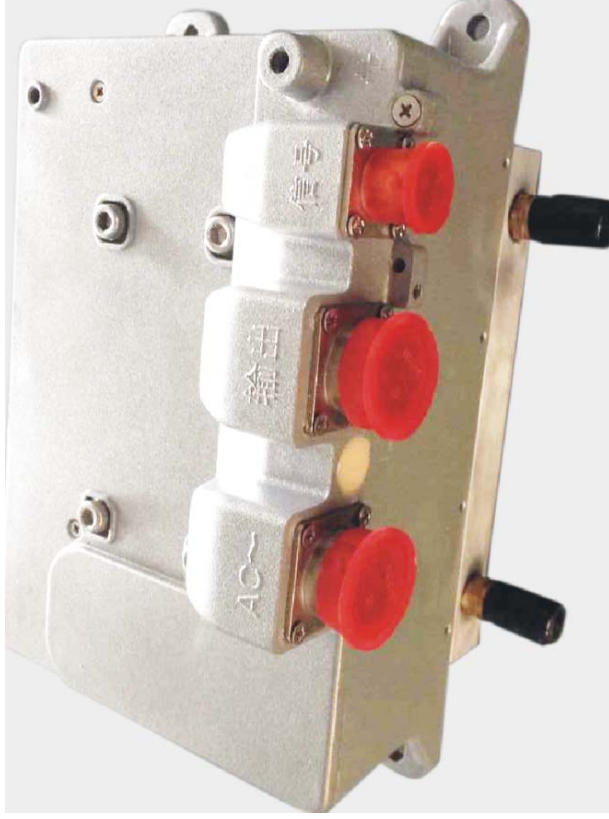


# Instruction for

## 6.6KW HK-J Series Charger



### 1. Overview

HK-J series 6.6KW charger was specially designed for supplying the electricity for electric vehicle's power battery, on the basis of the national standards for the charger. This product has the advantages of not only high efficiency, small size, high stability, long lifespan, but also high protection grade, and high reliability and complete protection function, etc. It's definitely an ideal charging power supply for electric vehicles.

This charger has built-in heat-sensing device and can automatic recover through the thermal protection. Fully sealed potting process and up to IP67 protection level ensures no causing trouble in any complex environment.

#### Key Features:

Fully sealed potting process, water cooling ( modular optional)	Work reliably under -35℃- +85℃
Built in thermal sensor	Cut off output under dangerous operations conditions (internal 95℃)
Protection level IP67	Work safely in the short-term immersion conditions

### 2. Essential Parameter

Input Voltage Range	Input Current	Output Voltage Range	Max Output Current	Power Factor	Full-load Efficiency
AC90~265V	16A	110V~400VDC	10A	≥0.99 (half-load more)	≥93%

### Models

Hardware	Model
72V80A	HK-J-H99-80-XXCANXXXXX-X-001
84V80A	HK-J-H116-80-XXCANXXXXX-X-001
92V64A	HK-J-H132-64-XXCANXXXXX-X-001
144V46A	HK-J-H198-46-XXCANXXXXX-X-001
312V20A	HK-J-H440-20-XXCANXXXXX-X-001

■ Email: [info@evassemble.com](mailto:info@evassemble.com)

### 3. Features

Low Voltage Output	Output Mode	Constant Voltage
	Output Voltage	13.8V
	Rated Current	5A
	CV Accuracy	±2%
	Maximum Current	5.5A±0.5A
Input	Output Power	≥62.5W
	Ripple Voltage Coefficient	1%
	Frequency	45-65Hz
	Stand-by Consumption	≤5W
	Output Mode	CV / CC
Main Output	Output Power	6600W@220V AC; 3300W@110VAC
	CV Accuracy	±1%
	CC Accuracy	±2%
Communication Function	Ripple Voltage Coefficient	5%
	CAN Communication	Yes
	Baud Rate	125Kbps、250Kbps、500Kbps
	Terminal Resistance	N/A

### 4. Protection function

Input Over-voltage Protection	AC270±5V
Input Under-voltage Protection	AC85±5V
Output Over-voltage Protection	Stop the output when exceeds + 1% of the maximum output voltage
Output Under-voltage Protection	Stop the output when below -5% of the minimum output voltage
Output Over-current Protection	Stop the output when exceeds + 1% of the maximum output current

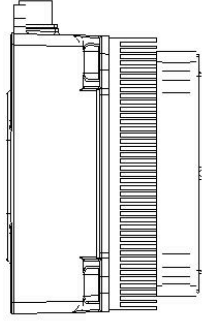
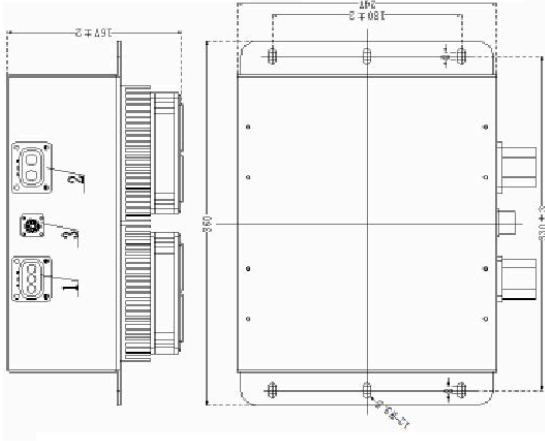
Over-temperature Protection	Power down from 85 °C and turn off at 90 °C
Short-circuit Protection	Stop Output
Battery Reverse Connect Protection	Fuse Burn-out
Ground Protection	≤100mΩ
CAN communication Protection	Automatically stop the output when CAN communication fails
Power-off Protection	Yes

### 5. Safety and others

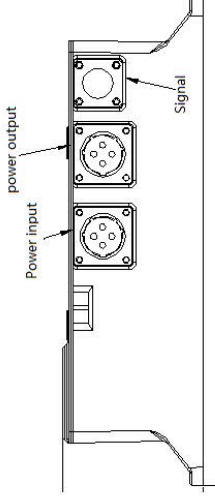
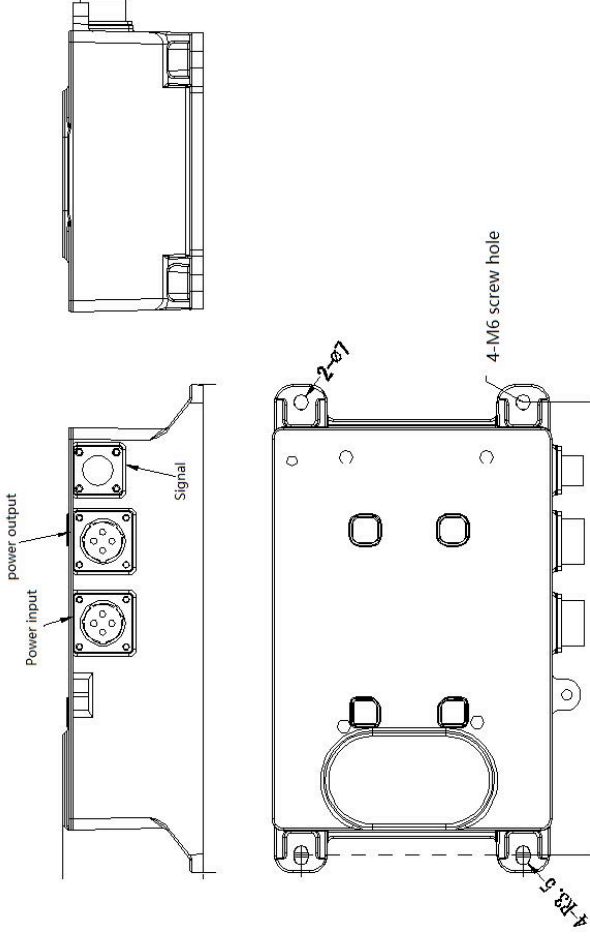
Withstand Voltage	Input to Output: 2000VAC≤10mA Input to Ground: 2000VAC≤12mA Output to Ground: 2000VAC≤10mA, all 1min
Insulation Resistance	Input, output, signal terminal to casing ≥10MΩ Testing Voltage 1000VDC
Electromagnetic Immunity	GB/T 18487.3-2001 11.3.1
Electromagnetic Abusive	GB/T 18487.3-2001 11.3.2
Harmonic Current	GB 17625.1-2003 6.7.1.1
Inrush Starting Current	≤24A
Current-rise Time	≤5S, Overshoot≤5%
Close Response time	100%到 10%≤50mS, 100%到 0%≤200mS
Protection Level	IP67
Vibration Resistance	10—25Hz Amplitude1.2mm, 25—500Hz 30m/s <sup>2</sup> , 8hrs per direction
Noise	≤60dB(A 级)
MTBF	150000H
Work Environment	Relative Temp 5%-95% No condensation
Working Temperature	-35°C ~ +85°C
Storage Temperature	-55°C ~ +100°C

### 6. Installation Dimensions & Interface Definition

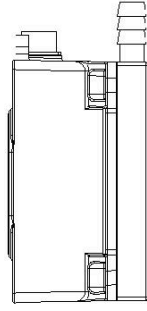
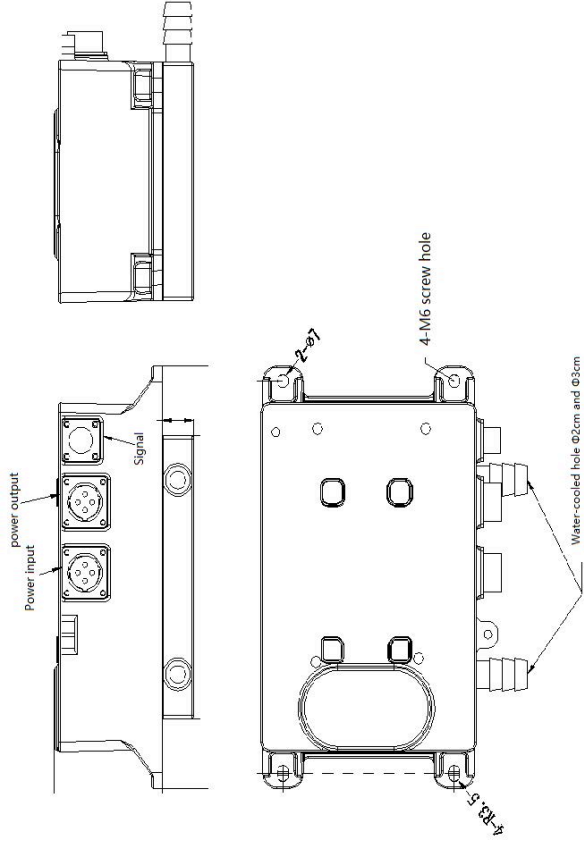
#### 1). Installation Dimensions (Air-cooled)



#### 3). Installation Dimensions (Module Type)



#### 2). Installation Dimensions (Water-cooled)



### Interface Definition

S. N.	Port Name	Terminal Definition	Connector Model	Matching Connector	Vendor
1	Charger's AC Input	A-Null line, B-Fire Line, D-GND	DY7-4ZJN	DY7-4TKPIN	XINXI
2	Charger's DC Output	A-Positive B-Negative	DY7-4ZJW75°	DY7-4TKP1W	XINXI
3	Signal Control	A-CANL, B-CANH, C-CANGND, D-12V+, E-12V-, F-12V200mA	DY7-6ZJN	DY7-6TKP1N	XINXI

### 7. LED status

#### 1). Initial State

Red Off Green Off Red Off Green Off Red Off Green Off Red Off Green Off

**2). Charging State**

Red Off Red Off Red Off Red Off Red Off Red Off Red Off Red Off

**3). Stand-by State**

Green Off Green Off Green Off Green Off Green Off Green Off Green Off Green Off

**4). Fault State**

Red Green Red Green.....Other error status word error

Red Green.....Wrong Battery

Red Green Red.....Wrong Communication

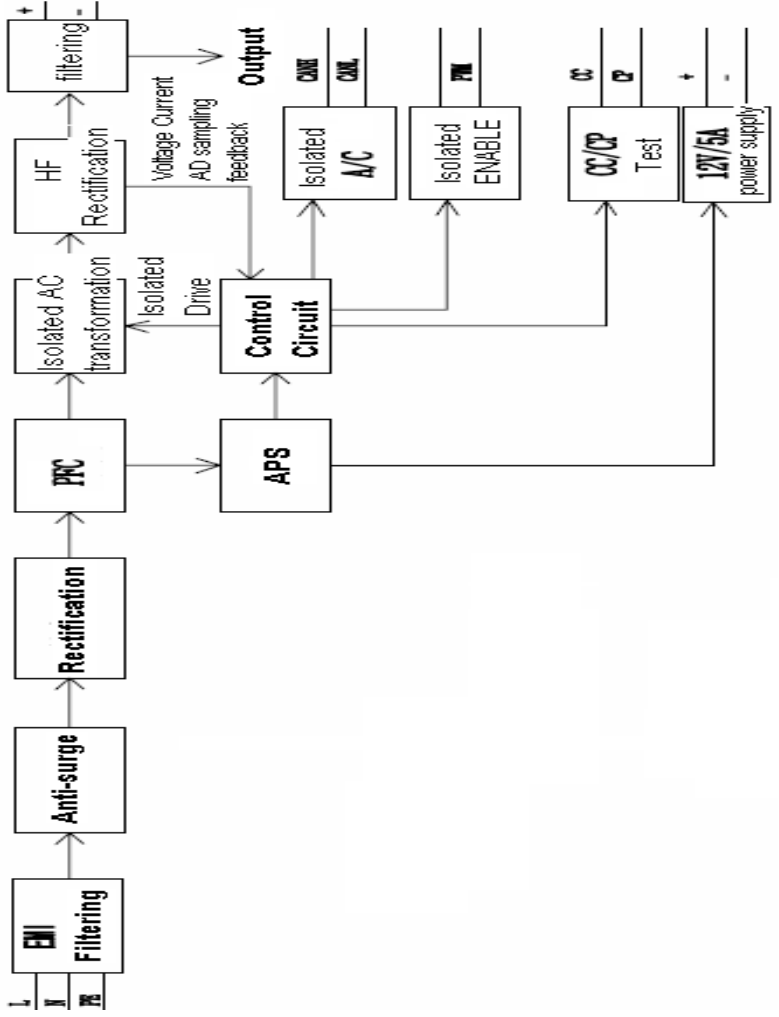
Green Red.....Wrong Input Voltage

Green Red Green.....Internal Temperature Protection

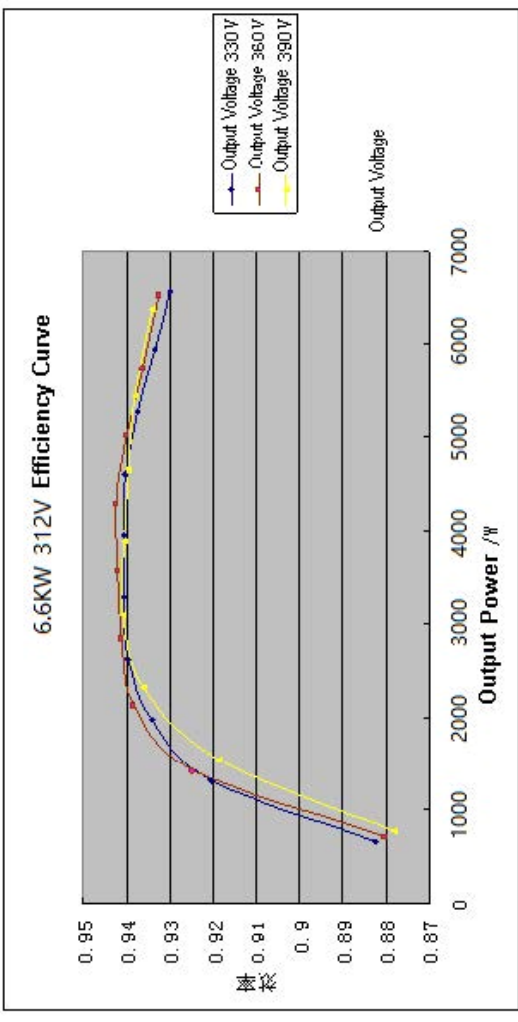
Green Red Green Red.....Wrong Hardware

**8. Schematic diagram and the efficiency curve**

**1). Schematic Diagram**



**2). Efficiency Curve**



**9. Appearance Requirements**

- 1). Outer surface should be smooth without obvious defects such as scratch, deformation. Surface coating should be uniform.
- 2). The nameplates and signs should be installed firmly with the neat handwriting.
- 3). Spare parts should be fastened reliably without rust, burrs, cracks and other defects and damage.
- 4). Each product should be marked with product identification in obvious place, including part number, product brand, product type, production number, name of production enterprises, the warning message, etc

**10. Packaging, Transport and Storage**

**1). Packaging**

On the packing box, there are product name, product part number, product brand, product type, production number and name of manufacturer; In packing box, along with the technical documents, it includes packing list, quality certificate, product specification.

**2). Transportation**

Suitable for cars, boats, aircraft, transportation. The products have to be prevented against sunshine and moisture and in a civilized transportation.

### **3). Storage**

Product should be stored in the packing box when it is not used and be maintained in a 5 °C to 40 °C clean, dry and well-ventilated environment. It should not be stored together with chemicals, acid and alkali substances etc.,. Should avoid storing in the sun, fire, water and avoid storing with corrosive substances. The storage period is 2 years (from the inventory date of the factory). After the 2 years of storage period, the products should still comply with the provisions of the relevant standards.